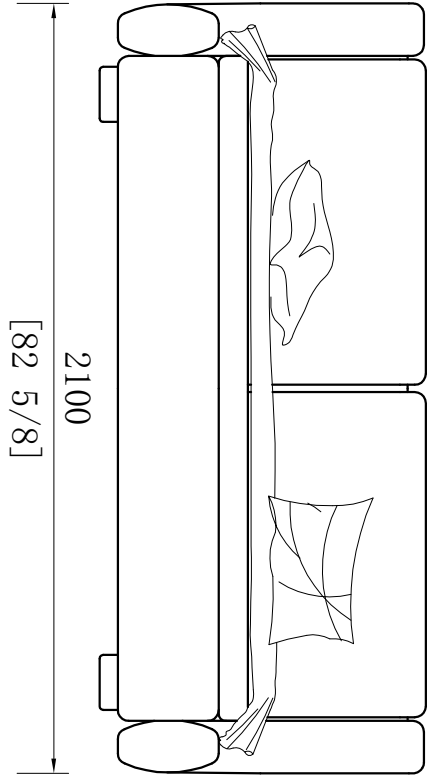


2400  
[94 1/2]



[82 5/8]

2100

890  
[35]

